



EFL 3 DG2 / EFL 3C DG2

237.59.000
237.59.001



www.hafele.com

237.59.000 237.59.001	12 V DC	1000 N	< 200 mm	0-50 °C



+

E			
237.56.312			
237.59.310			
F			
237.56.315			

G			
237.59.020		0,5	m
237.59.021		1,0	m
237.59.022		3,0	m
237.59.023		5,0	m
237.59.024		10,0	m

i

1

i

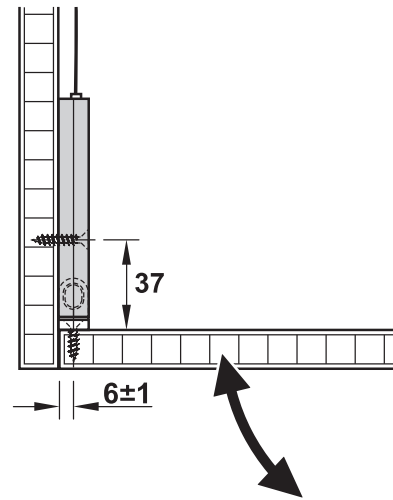
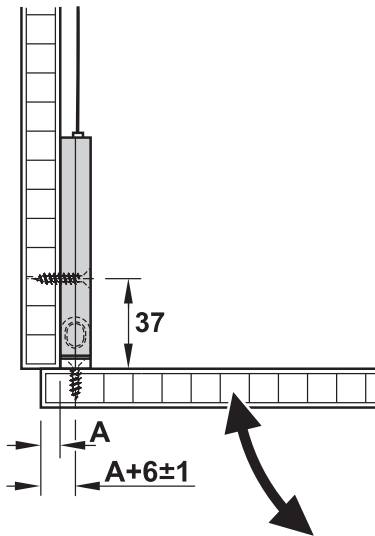
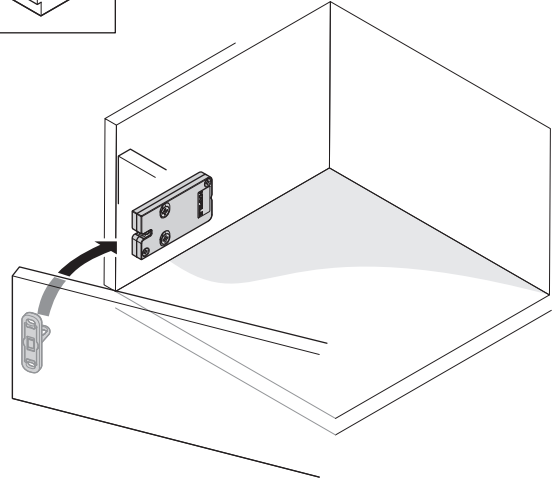
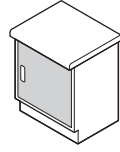
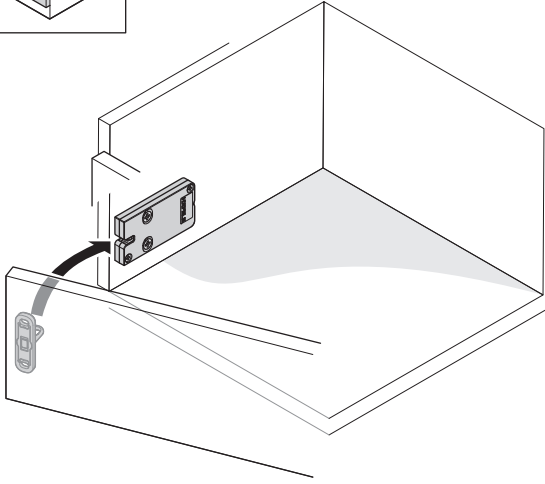
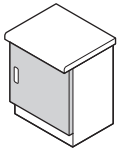
ZN 6.208.000.90a

732.22.027

HDE 06/2019

i

mm

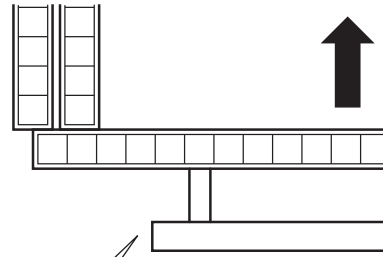
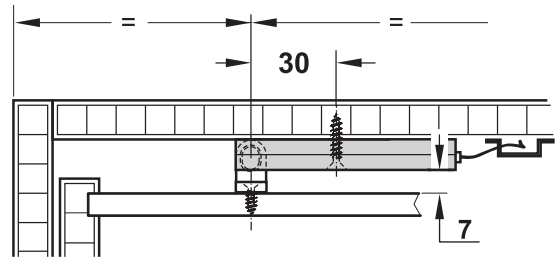
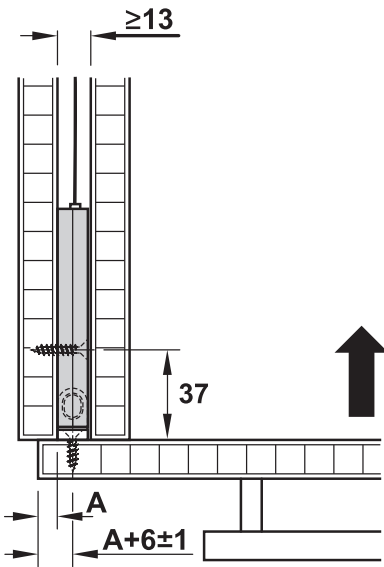
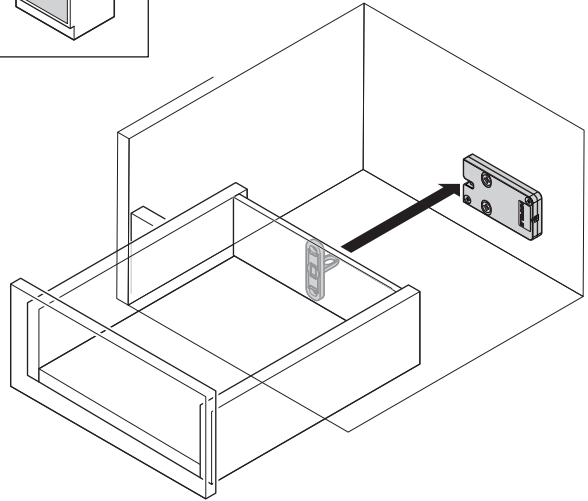
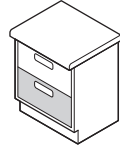
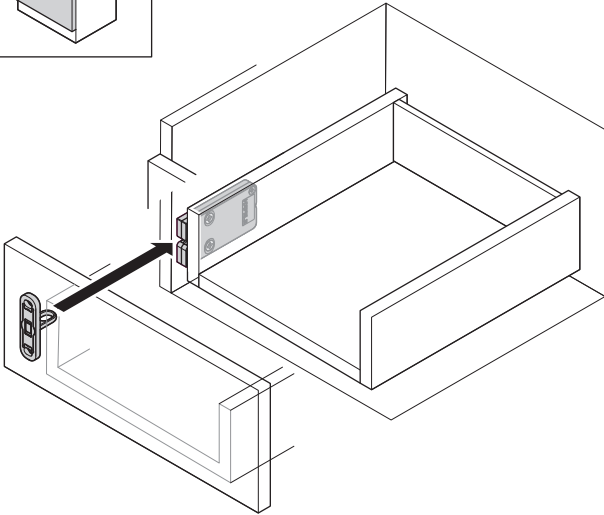
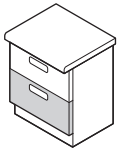


732.22.027

HDE 06/2019

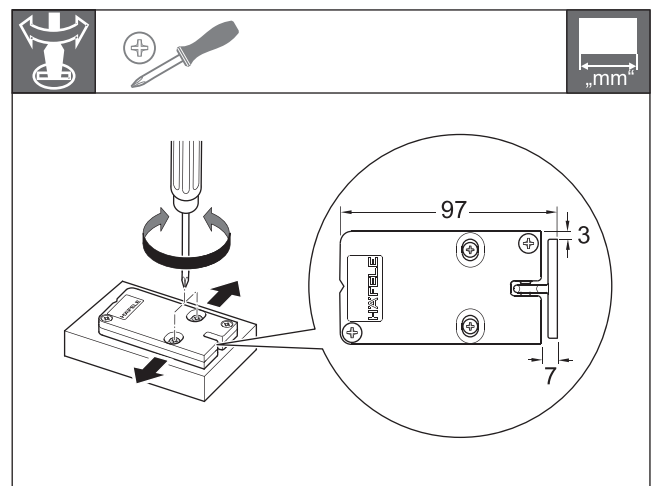
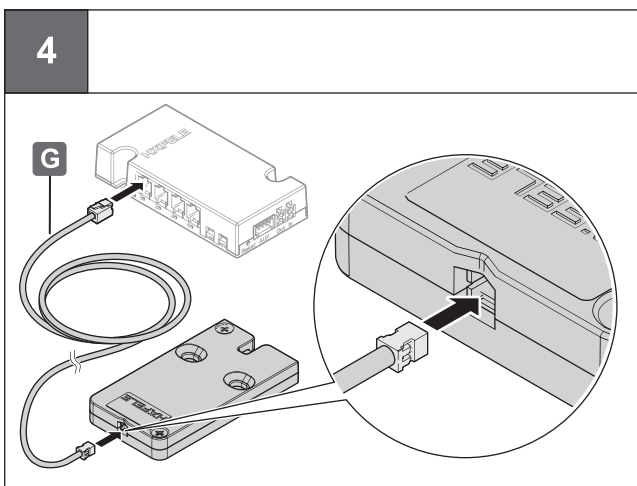
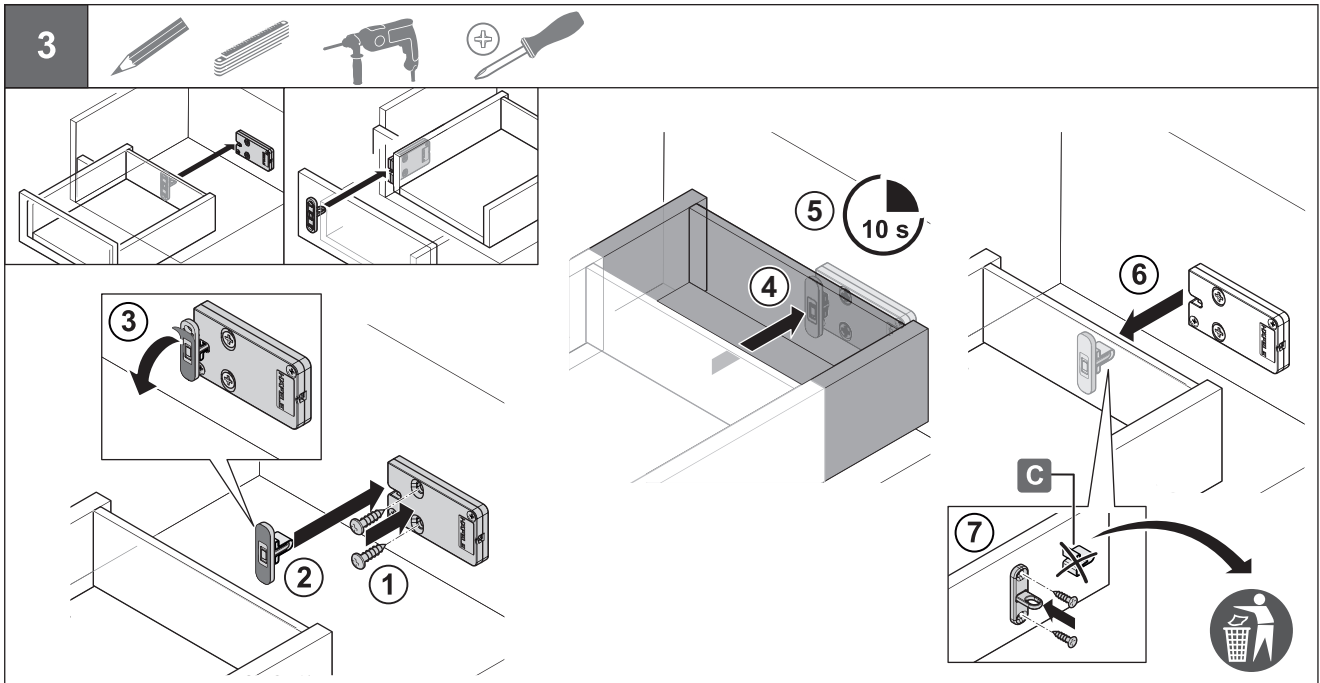
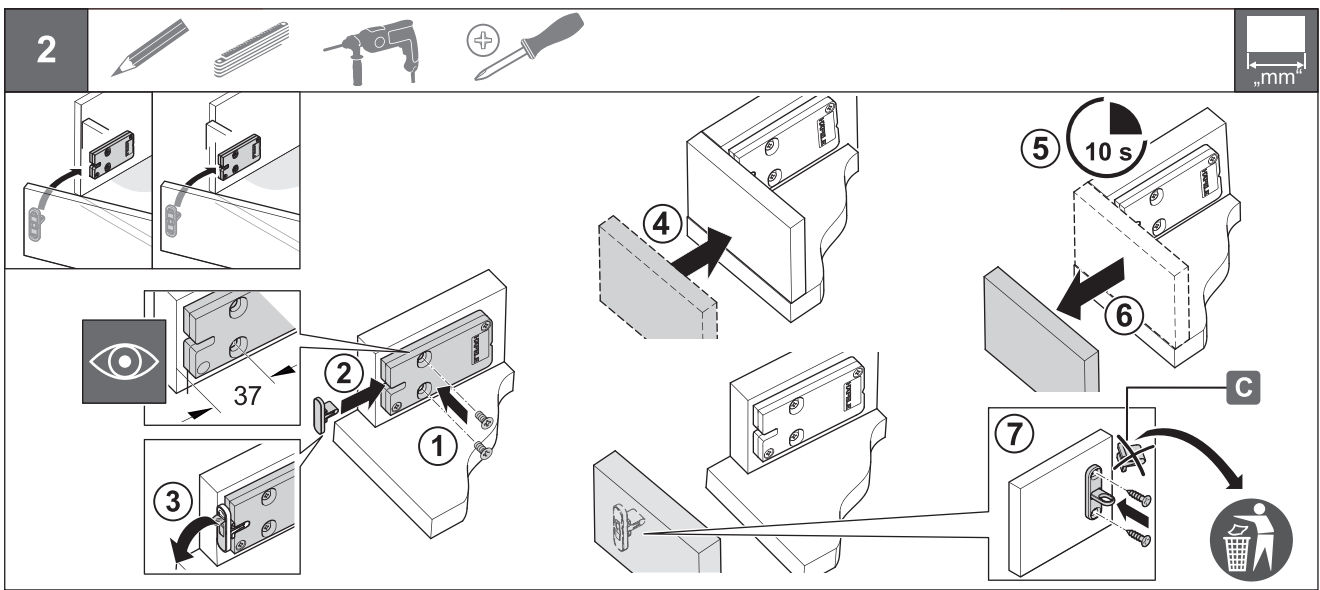
i

mm



732.22.027

HDE 06/2019



732.22.027

HDE 06/2019